

ANA1, High Noise Reduction Silencer - 40dB(A) ANA1-10

Data Sheet

The high noise reduction style silencer ANA1 keeps the noise level inside a plant below 85dB(A) with a noise reduction effect of 40dB(A). Series ANB1 has a noise reduction effect of 38dB(A) and has a larger effective area with the same port size as series ANA1. It is also available for common exhaust from manifolds.

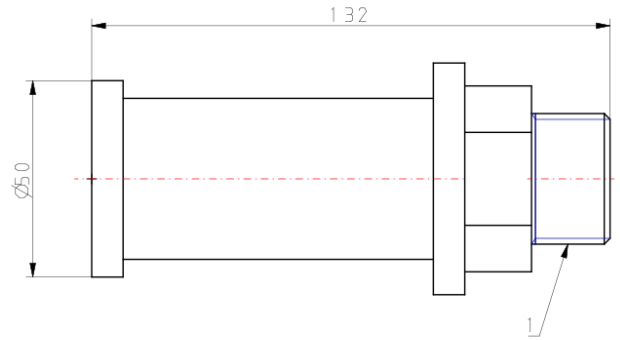
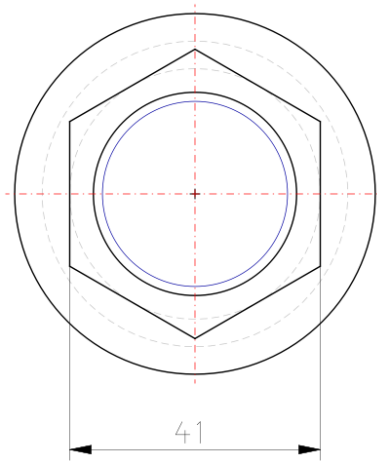


Silencer

Standard Specifications

Pressure medium	Compressed Air
Maximum temperature of pressure medium	60 °C
Minimum temperature of pressure medium	5 °C
Maximum ambient temperature	60 °C
Minimum ambient temperature	5 °C
Conform to the European RoHS Directive	Conform
Pneumatic input connection	R 1
Noise reduction	-40 dB (A)
Weight	0.182 kg

Dimensions



Additional information

Catalogue

[AN_EU.pdf](#)